

LOTTO



Rockworth



LOTTO chair is designed to support everyday work with ergonomic comfort and a refined, modern presence. Its thoughtful design helps create a seating experience that feels balanced, comfortable, and suitable for today's workspace.



**Crafted Comfort,
Elevated Design**



The **breathable** mesh backrest enhances airflow for lasting comfort, while the fabric headrest adds a softer touch and elevates the chair with a warm, refined character.

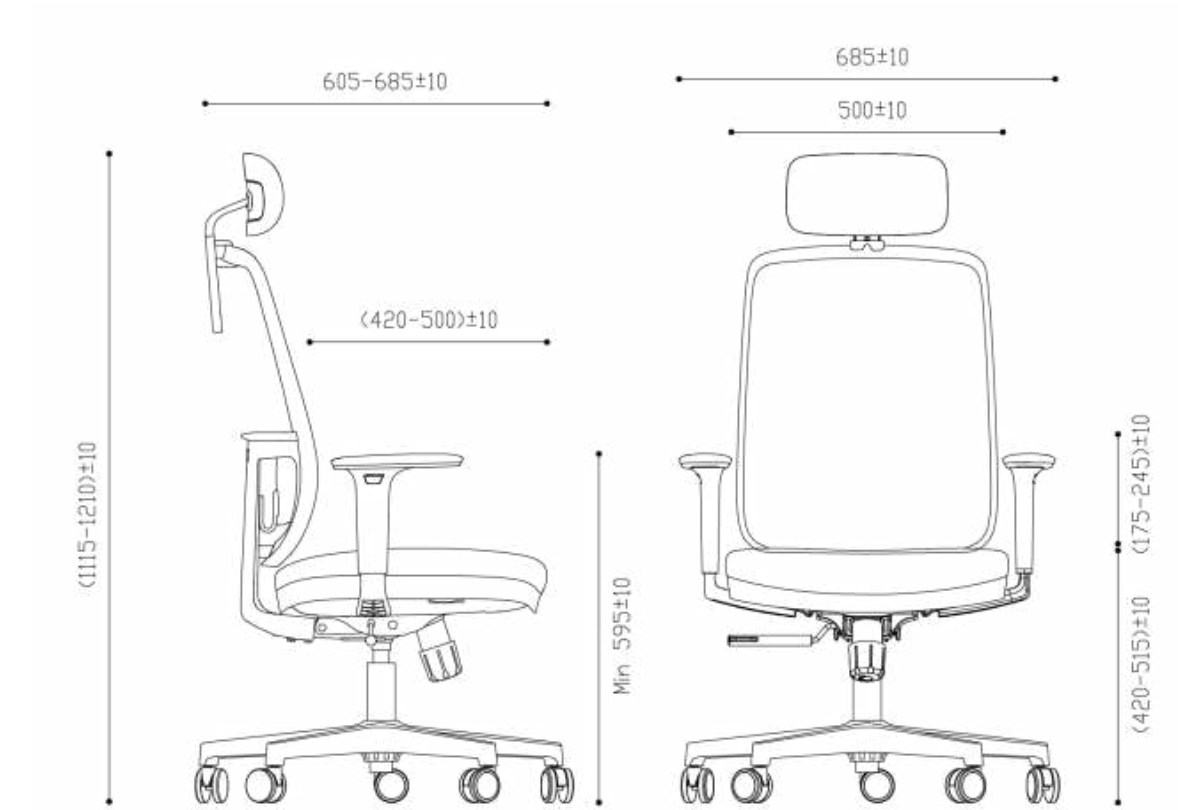


FEATURES & FUNCTIONS



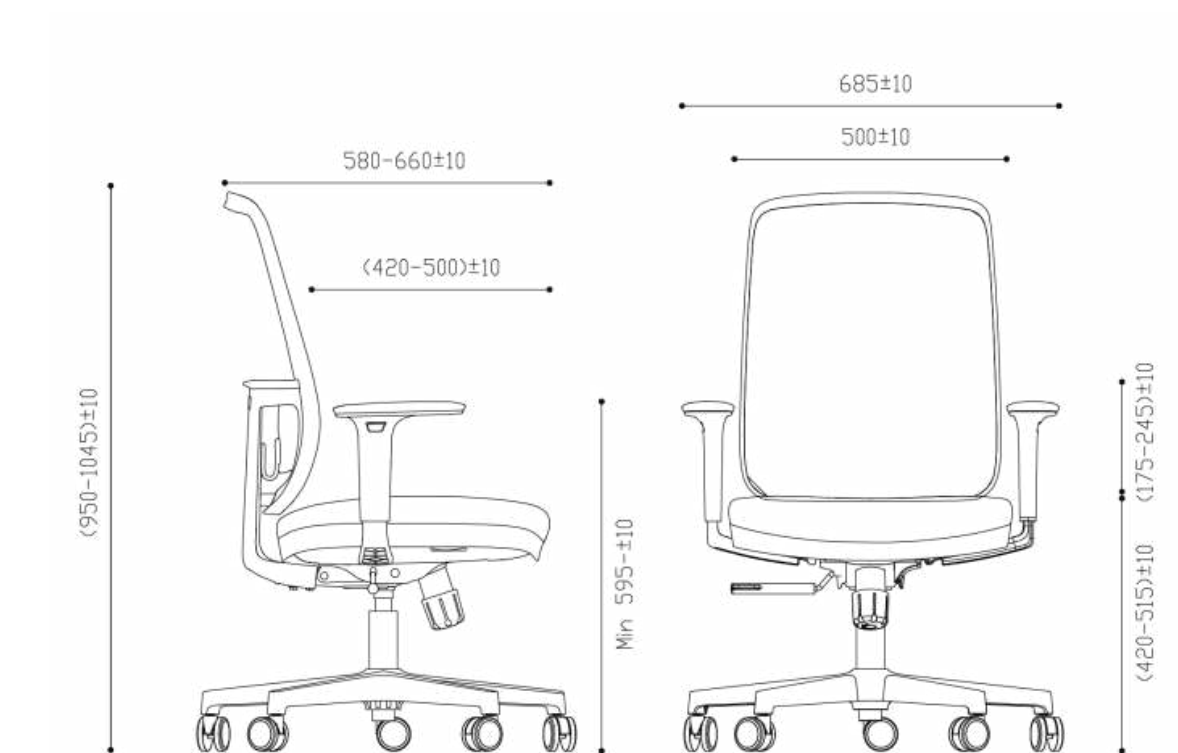


STATEMENT OF LINE



MEASUREMENT

NO.	ITEM	DIMENSION (MM)			
		H	D	W	SH
1	MID BACK	950 - 1045	580 - 660	685	420 - 515
2	HIGH BACK	1115 - 1210	605 - 685	685	420 - 515

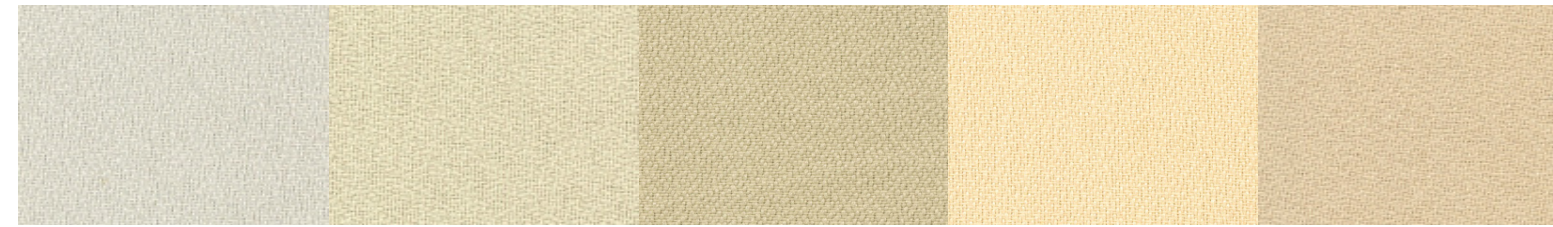


MATERIALS

Colors presented in the catalogue may vary from the original colors of furniture.

FABRIC G1

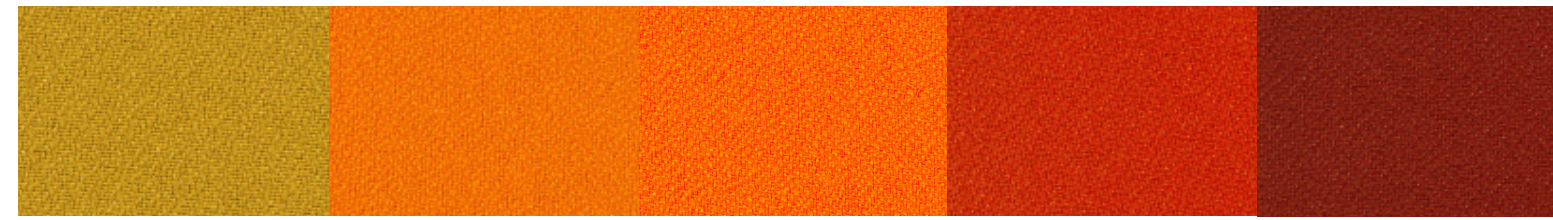
New Light



Pearl 01-WH **Barley** 02-WH **Seashell** 71-BR **Sand** 74-BR **Cream** 72-BR



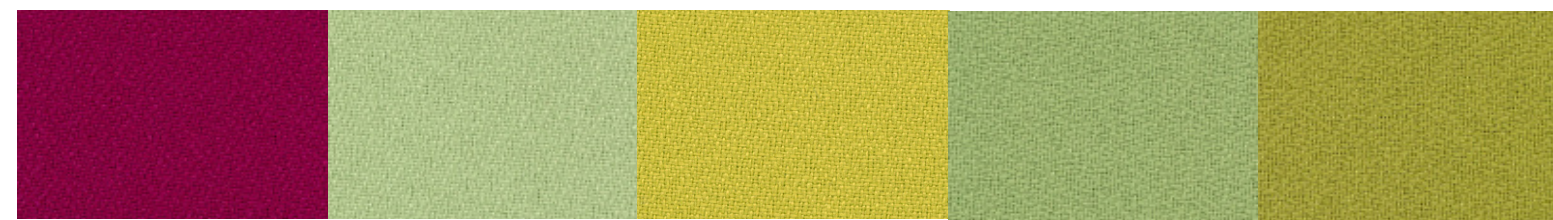
Wheat 75-BR **Bisque** 73-BR **Lemon** 31-YE **Brilliant yellow** 35-YE **Sunrise** 34-YE



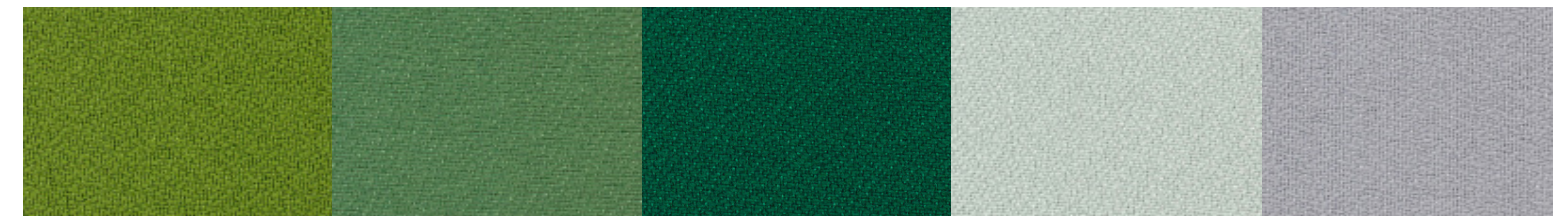
Sunflower 38-YE **Desert sun** 22-OR **Sun king** 27-OR **Mars red** 20-OR **Brick red** 19-RE



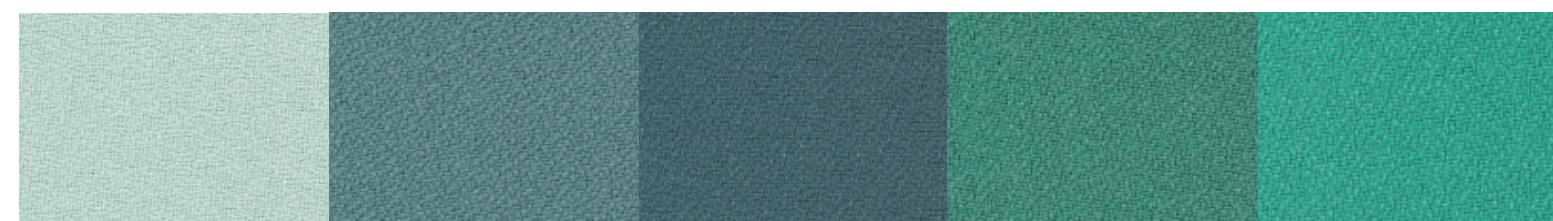
Plum 14-RE **Raja** 15-RE **Fortune red** 17-RE **Ruby** 18-RE **Bordeaux** 152-BR



Persian red 16-RE **Fresh green** 41-GR **Cream gold** 42-GR **Ultra** 48-GR **Sapgreen** 49-GR



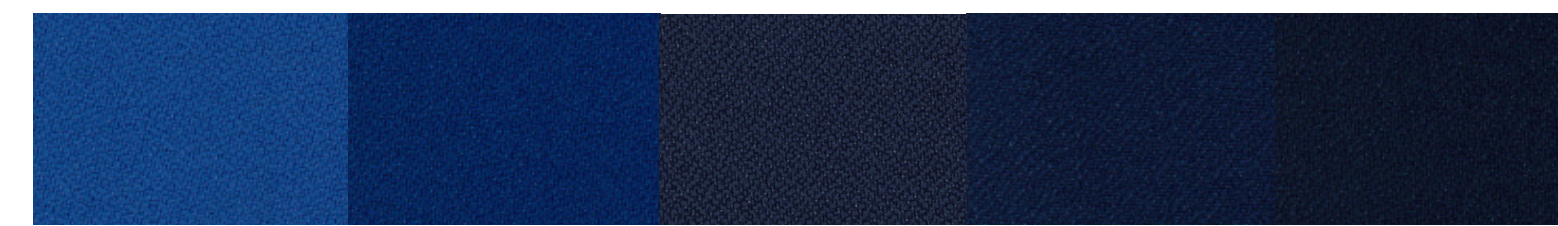
Green olive 46-GR **Mineral** 47-GR **Avocado** 412-GR **Bluegrass** 44-GR **Seasprey** 50-BL



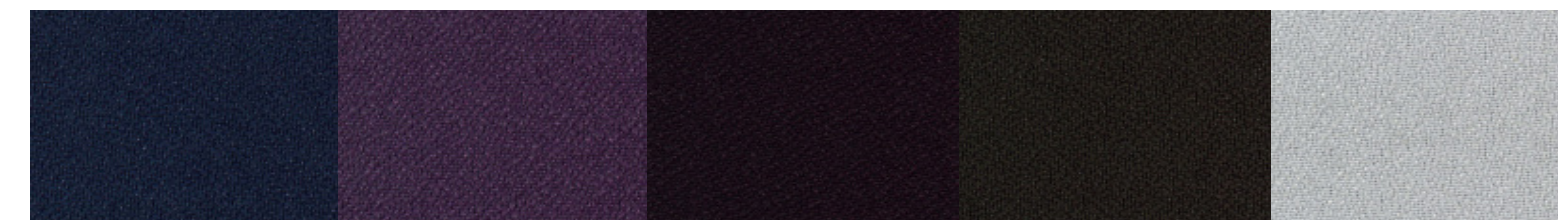
Spring 57-BL **Emery** 59-BL **Atlantis** 56-BL **Forest** 45-GR **Jade** 43-GR



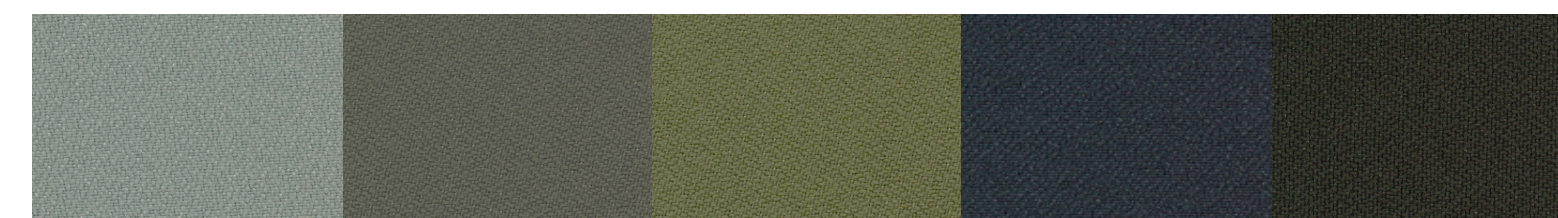
Sky 51-BL **Wedge wood** 52-BL **Stream line** 62-PU **Fluorescent blue** 53-BL **Sapphire** 54-BL



Expensive blue 55-BL **China blue** 64-PU **Navy** 510-BL **Deep blue** 511-BL **Royal blue** 512-BL



Ocean 58-BL **Damson** 156-PU **Raisin** 68-PU **Chocolate** 78-BR **Cool grey** 90-GY



Silver 91-GY **Grey** 93-GY **Pewter** 94-GY **Black pearl** 98-GY **Night gold** 97-GY



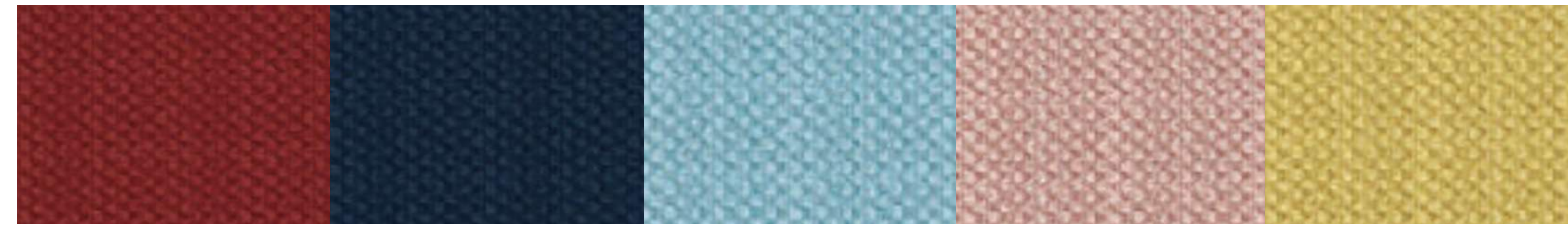
Black gold 89-BA

MATERIALS

Colors presented in the catalogue may vary from the original colors of furniture.

FABRIC **G1**

Molly



Red

Dark Blue

Sky Blue

Pink

Yellow



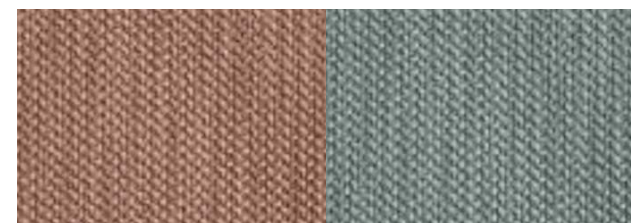
Grey

Taupe

Dark Grey

Black

Rise Husk



Tan Brown

Sage Green

VINYL



JU 15
White

JU 16
Ivory

JU 01
Sand

JU 18
Tan

JU 19
Khaki



JU 20
Taupe

JU 25
Smoke

JU 21
Tangerine

JU 24
Walnut

JU 04
Cinnamon



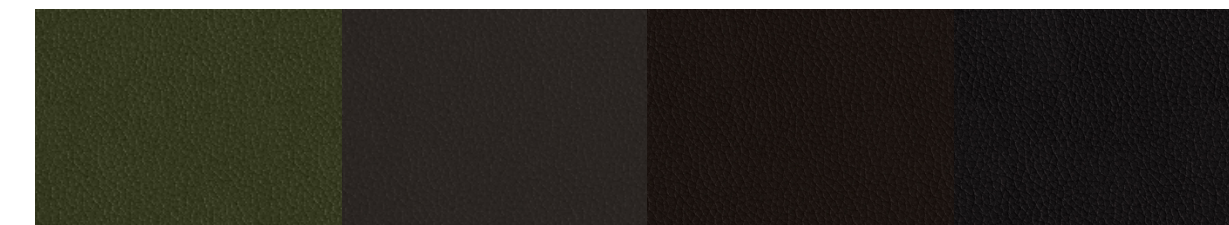
JU 02
Burgundy Brown

JU 11
Merlot

JU 03
Brunette

JU 22
Royal Blue

JU 23
Navy Blue



JU 05
Wood

JU 12
Cafe

JU 26
Dark Chocolate

JU 13
Black

FRAME



Black

White

Upholstery

Black frame : Headrest is black color only
White frame : Headrest is grey color only

PRODUCT SPECIFICATION

Headrest

Height and angle adjustable headrest with upholstery material

Backrest

Mesh backrest with height adjustable lumbar support

Seat

Bending wood veneer structure, PU Molded foam, and upholstered seat and PP plastic upholstered bottom

Armrest

Arm height adjustment of 70 mm, Polyurethane armrest

Posture control

Synchronized mechanism with 3 position locking with seat sliding 80 mm

Gaslift

Class-4 gas lift (BIFMA standard) for smooth height adjustment and durability

Base

Nylon plastic base

Castors

Inner nylon plastic outer PU plastic

WARRANTY

5 YEARS

AWARD & CERTIFIED



SUSTAINABILITY

Rockworth is committed to operating with integrity and responsibility in everything we do. Our value chain reflects our deep dedication to people and the planet, guiding our actions every day. Sustainability is not just a goal—it is embedded in our mindset, shaping the way we design, produce, and deliver solutions that create a positive impact on businesses, communities, and the environment.

Safe materials

The materials and raw components used in our production processes meet stringent quality standards. They are certified to ensure they pose no risk to human health or the environment.

Waste reduction

We actively minimize raw material waste throughout the design and production stages. Examples include precision computer-cut fabrics and leathers, as well as sourcing materials in clearly defined dimensions to optimize resource usage.

Energy efficiency

Reducing electricity consumption is a key priority for our company. We implement technical and organizational improvements and provide continuous training for employees to achieve this goal.

Waste segregation

For many years, we have successfully operated a structured waste segregation program, transferring sorted waste to authorized recycling partners. We actively encourage and educate our employees and the local community on effective waste segregation practices.

Environmental protection

We proactively identify and monitor potential environmental risks across all our operations. Our teams remain vigilant, prepared to respond effectively and responsibly whenever environmental threats arise.

CERTIFICATE

ISO 14002: 2015

Gives the requirements for environmental management systems, confirms its global relevance for organizations wishing to operate in an environmentally sustainable manner.

ISO 45001: 2018

Employees' health and safety in the workplace and improving the well-being of within the workplace environment.

ISO 9001: 2015

Quality Management Systems is a globally recognized standard for quality management. It helps organizations of all sizes and sectors to improve their performance.

ISO 50001: 2018

Energy management system: Makes it easier for organizations to integrate energy management into their overall efforts to improve quality and environmental management.

ANSI/BIFMA

The Business and Institution Furniture manufacturer's association from American national standards institute.

SCS Indoor air quality

Certify to the most transparent indoor air quality (iaq) standard For furniture and building materials with indoor advantage and Indoor advantage gold.

Leadership in energy and environment

Based on accepted energy and environmental principles and strikes a balance between known established practices and emerging concepts.

Indian building council member

USGBC Is best known for its development of the leadership In energy and environmental design (leed) green building rating systems.

**For more information about the product
Please scan the QR code.**



www.rockworth.com

**The producer reserves the right to conduct construction changes and improvements of the products.
Colors presented in the catalogue may vary from the original colors of furniture**